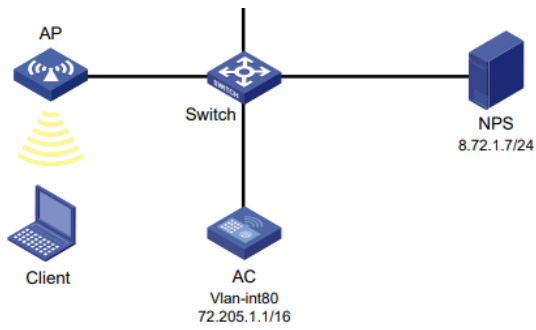


# How to realize that different users with different attribute access the same SSID and enter different vlans

802.1X AAA wlan access LinDongliang 2022-09-23 10:30:11 Published

## Network Topology



like this

#### Problem Description

requirement : different users access the same SSID and enter different vlans. for example, when connect to the same ssid, guest enter van 1, student enter vlan 2, teacher enater vlan 3 or vlan 4.

## Process Analysis

This function requires a return packet from the radius server during authentication, and different users carry different values of an authorization attribute.

This authorization attribute can be of many kinds, for example Framed-AppleTalk-Zone or Framed-Pool. Let's take Framed-AppleTalk-Zone as an example. The value of Framed-AppleTalk-Zone is a string of characters, not a number.

The wireless controller identifies the attribute as vlan-group after attribute conversion, and different values correspond to different vlan-groups.

## Solution

take Framed-AppleTalk-Zone as an example. !!! or use some attribute who's value is a string of characters.

step 1 : radius server user attribute

set different value of attribute Framed-AppleTalk-Zone for users in radius server. Different radius servers have different setup methods.

for example , value guest , student and teacher.

step 2 : AC convert the attribute

```
# wlan service-template 1
ssid H3C
user-isolation enable
akm mode dot1x
cipher-suite ccmp
security-ie rsn
security-ie wpa
client-security authentication-mode dot1x
dot1x domain dot1x
service-template enable
#
domain dot1x
nas-id xxx
authentication lan-access radius-scheme dot1x
authorization lan-access radius-scheme dot1x
accounting lan-access radius-scheme dot1x
#
radius scheme dot1x
primary authentication xxx
primary accounting xxx
accounting-on enable
accounting-on extended
key authentication cipher $c$3$u2v6ya9HDgCccl6oG9yPbz49UHgzQ==
key accounting cipher $c$3$92LcqiEtIifEDHZDfjued5D0FJfbHA==
user-name-format without-domain
attribute translate
attribute 182 vendor-id 25506 vlan
attribute convert Framed-AppleTalk-Zone to H3C-Microsegment-Id access-accept
#
step 3: defy vlan-group
#
vlan-group guest    #value of vlan-group = H3C-Microsegment-Id access-accept Framed-AppleTalk-Zone
vlan-list 1
#
vlan-group student
vlan-list 2
#
vlan-group teacher
vlan-list 3 to 4
#
```

